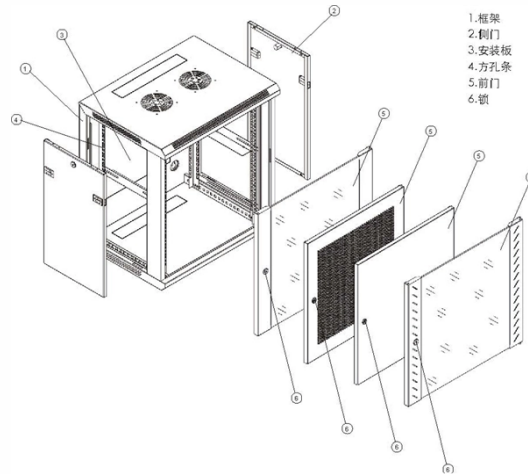


Network Security Equipment Management Log



Overview

The Logs section provides the tools to view the system logs, authentication logs and auditing logs as well as download the logs in CSV format. Firewall logs can be used by the administrator for troubleshooting network. You can access the system logs by. A security information and event management (SIEM) solution ensures a healthy security posture for an organization's network by monitoring different types of data from the network. Think of logs as breadcrumbs that show everything happening across your routers, switches, firewalls, and other network infrastructure. This includes considerations for configuring the logging settings for different policies, the configuration of local log storage databases, and setting both local logging for the Firewall. A log is an automatically generated, time-stamped file that provides an audit trail for system events on the firewall or network traffic events that the firewall monitors. In this comprehensive guide, we will cover the key concepts, tools, and techniques for analyzing log. Alternate format: Network security logging and monitoring - ITSAP.



Article Content

Network Access Logging & Monitoring for Engineers

Below is a step-by-step plan for deploying a robust network access logging and monitoring system: Assessment: Conduct a thorough review of your existing network architecture, identifying key

The Comprehensive Guide to Log Management: Understanding Its

Log management refers to the comprehensive process of collecting, organizing, storing, analyzing, and monitoring log data generated by systems, applications, and devices. Logs, in essence, are

6 SIEM Log types You Need to Analyze, and Why?

Learn how network log analysis turns network logs into security insights. Explore log analysis techniques, SIEM tools, and best practices for

Best Practices for Effective Log Management in

Explore the importance of log management in maintaining information security and learn about the best practices to enhance your organization's

What is network device logging and why is it necessary?

Learn why network device logging is essential for security, troubleshooting, and compliance. Discover best practices and how EventLog Analyzer enhances network log management.

Network Security Engineer: Log Management and Analysis

Log Management and Analysis for Network Security Engineers In an era where data is at the center of every business and IT security is a constant challenge, network security engineers are increasingly

Network Log Analysis: Tools, Techniques & SIEM Best

Learn how network log analysis turns network logs into security insights. Explore log analysis techniques, SIEM tools, and best practices for

Log monitoring for IT: Challenges and best practices

It facilitates a centralized approach to detecting security threats, troubleshooting operational and performance issues, and optimizing network performance. In this

10 Best Log Analysis Tools for your Network (Free & Paid)

We show you the Best Log Analysis Tools for monitoring your network, why you need them, and how to choose. Free trial download offers.

SIEM Log Management: The Complete Guide

SIEM vs. log management: What is the difference? SIEM and log management are similar in the following respects: Both tools collect, store, and retrieve log data in

View and Manage Logs

A log is an automatically generated, time-stamped file that provides an audit trail for system events on the firewall or network traffic events that the firewall monitors.

Log Management for Security Engineers in Computer and Network

Discover essential log management practices for Security Engineers to enhance computer and network security using DataCalculus insights.

Security Equipment Log | Xenia Templates

By leveraging Xenia for the Security Equipment Log, organizations can streamline equipment management, enhance maintenance processes, ensure compliance, and optimize the performance

Network Security Manager Reports and Analytics

The Logs section provides the tools to view the system logs, authentication logs and auditing logs as well as download the logs in CSV format. Firewall logs can be

Log Analysis for Network Security: A Comprehensive Guide

This comprehensive guide to log analysis in network security covers the key concepts, tools, and techniques for analyzing log data to detect security threats and improve incident response

Analyzing-Logs-for-SIEM-Whitepaper

And these logs contain information of all the system, device, and user activities that took place within these network infrastructures. Log files are important forensic tools for investigating an organizations

What is log management and how to choose the right tools

View log management systems as a source of business intelligence—and choose one that fits your business needs. David Torre provides expert guidance.

Network Security Event Log Management and Monitoring Software

Successful Solution: Incorporate security log management services into your business model. It is of high relevance to evaluate the security log management service providers prior to giving the

What is Log Management? 4 Best Practices & More | CrowdStrike

Log management is the practice continuously gathering, storing, processing, and analyzing data from disparate programs and applications. Learn more!

What Is Log Monitoring? Benefits & Security Use Cases

Log monitoring can help security teams recognize security issues before they become advanced. Learn more about what it is and its use cases.

Log Management in 2026: Key Components and Best

In this expert blog, we explore key components of effective log management and best practices to turn raw data into valuable security and

Logging Best Practices

This includes considerations for configuring the logging settings for different policies, the configuration of local log storage databases, and setting both local logging for

Log collection 101: Covering the basics

Log management ensures that the network activity data hidden in logs is converted to meaningful, actionable security information. Log management is a prerequisite for network and security

Contact Us

For more information, pricing, or custom solutions, please contact us:

Website: <https://saastisfy.fr>

Email: sales@saastisfy.fr

Phone: +33 6 52 81 47 39

Address: 75 Rue de Rivoli, 75001 Paris, France

This document is for informational purposes only. Specifications subject to change without notice.

