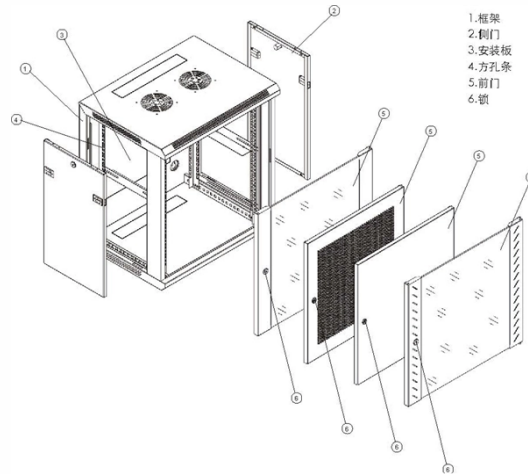


Cable tray elbow manufacturing from large to small



Overview

This manual is designed to guide workers through the detailed production process of ladder cable trays, including the manufacture of horizontal elbows, tees, crosses, reducing bends, and vertical bends, with emphasis on precision, safety, and quality control. Ladder cable trays are critical components in modern electrical infrastructure, providing robust support and organization for cables. These are manufactured through our newest and improved technical complex. Have different. Pioneers in the industry, we offer aluminum cable tray and cable tray bend from India. Product Details: Founded in the year 2006 “ Electro Power System ” is competing with the other esteemed competitors by the support of highly skilled panel of experts. Our organization is constantly handling its. Cable Trays are designed to meet most requirements of cable and electrical wire installations and comply to local and international standards of fabrications and finishes. Whether you are a DIY enthusiast, electrician, or metalworker, this tutorial will help you create cable tray elbows like a pro.



Article Content

EGYTRAY Cable Tray Calc | PDF

EGYTRAY cable tray calc - Free download as PDF File (.pdf) or read online for free. Elsewedy Cable Tray Catalogue (Egy Tray)

INTRODUCTION

Technical Information 1-All perforated cable trays can be manufactured without perforation upon request. 2-Our standard length of products is 3.0 meters 3-Almost all items can be manufactured in other

Cable tray system KP

The cable tray system KP (manufactured by pultrusion) provides maximum flexibility and efficiency and a support distance of up to 4 m. Its quickly assembly with clip

CABLE TRAY SYSTEM

SUNWOO LADDER TYPE CABLE TRAY SYSTEM IS DESIGNED TO REDUCE OVERALL WEIGHT IN WEIGHT SENSITIVE ENVIRONMENTS WHILE INCREASING STRENGTH. IDEAL FOR

Best Practice Guide to Cable Ladder and Cable Tray Systems

Introduction This publication is intended as a practical guide for the proper and safe* installation of cable ladder systems, cable tray systems, channel support systems and associated supports. Cable ladder

Cable Trays and Accesories

SFSP manufactures a wide range of products capable of providing the characteristics which respond to the proposed application, along with quality of

30° Horizontal Elbow | Cable Tray Systems | PUPCO

CABLE TRAYS 30° Horizontal Elbow Product Description The 30° Horizontal Elbow is an ideal choice for installations where large diameter cables are involved in

CABLE TRAY INSTITUTE

The Cable Tray Institute (CTI) was founded in 1991 to support the cable tray industry by engaging in research, development, education, and the dissemination of

Cable Trays and Fittings

Cable trays consist of rigid components like supports, connectors, and fittings made of either certain steel alloys or aluminum materials. The right cable trays and

Cable Tray Size Calculation for Project Engineers

Cable tray size calculation is important for ensuring safe cable installation, proper heat dissipation, and enough spare capacity for future

Cable Management System

Wescosa designs and manufactures cable tray systems, including perforated tray, cable ladder, channel tray and strut (metal framing), directly from production facilities in Dammam Saudi Arabia.

Cable Tray Elbow Manufacturer and Supplier in China

Premier Cable Tray Elbow Supplier in China Cable tray elbow was featured with thickness measurements for about 1-10 mm, enough to have heavy-duty

HOW TO FABRICATE (INSIDE ELBOW)AND(OUTSIDE ELBOW)

How to bend 90 degree of cable tray accurate to joint and support with 22.5 degree offset • HOW TO BEND 90 DEGREE OF A CABLE TRAY AC...

GUIDE CABLE TRAYS TECHNICAL

NEMA VE 1-2017 Specifies requirements for metal cable trays and associated fittings designed for use in accordance with the rules of Canadian Electrical Code, Part I and the National Electrical Code®

Professional Cable Tray Elbow Making | Metal Fabrication Tutorial

Professional Cable Tray Elbow Making | Metal Fabrication Tutorial Learn how to make cable tray elbows professionally with step-by-step guidance. This video shows metal fabrication techniques, DIY ...

Cable Tray Making Machine

Cable tray making machines are used to manufacture cable trays - an important component in electrical installations and industrial buildings for routing cables and wires safely. This

HOW TO FABRICATE CABLE TRAY ELBOW 90 DEGREES

HOW TO FABRICATE CABLE TRAY ELBOW 90 DEGREES UPWARD! EASY WAY! NB Electrical Tutorials 2.23K subscribers Subscribe

Types of Cable Trays - Advantages, Applications and Sizes

Explore the types of cable trays, their advantages, applications, and standard sizes. Learn how they improve cable management and support various industries.

Industrial Cable Tray Fittings

TechLine Mfg. manufactures long radius elbow fittings to enhance ease of use for Snap Track cable tray systems. These are available in vertical inside, vertical

90 degree cable tray elbow

Shop high-quality 90 degree cable tray elbows from reliable suppliers. Enhance your cable management with durable and efficient solutions. Bulk orders welcome.

How to Produce Cable Trays: A Comprehensive Guide

How Are Cable Trays Made? To produce cable trays, manufacturers must carefully select materials, design for load capacity and stability, and

90° Vertical Elbow | Cable Tray Systems | PUPCO

Discover our 90° Vertical Elbow for cable tray systems. Contact us today for availabilities and receive a quote. Fast shipping guaranteed

B-Line series Cable Tray Design Considerations

Some designers/specifiers utilize solid bottom cable tray to support a large number of small diameter control and multi-conductor instrumentation cables. Solid bottom steel cable trays with solid covers

Elbow 90°, large, radius 600mm, KKB-R600

GRP-Elbow 90°, large, radius 600 mm, for cable tray KK, with unperforated side rails, with integrated perforated connector plates, glass fiber reinforced polyester,

Explore Quality Cable Tray Elbows in Saudi Arabia

Discover a wide range of cable tray elbows at Youmats Saudi Arabia. Shop top brands, enjoy fast delivery across Riyadh, and find the perfect fit for your project

Cable Tray and Trunking Overview | PDF | Length

The document discusses different types of cable containment systems including cable trays, cable ladders, and cable trunking. It provides details on the

Elbow 90°, small, KKW

GRP-Elbow 90° for cable tray KK, small, with unperforated side rails, with moulded connector, glass fiber reinforced polyester, pressed, RAL 7032, pebble grey

How to Produce Ladder Cable Tray: A Technical Manual

This manual is designed to guide workers through the detailed production process of ladder cable trays, including the manufacture of horizontal

electrical #cable tray# making 90,° elbow #

Creating a 90-degree elbow in an electrical cable tray, often called a "fabricated" or "mitered" bend, involves cutting, bending, and fastening a straight section of tray. The most common method ...

Cable Tray Elbow Manufacturer and Supplier in China

KDM Cable tray elbow is made from original stainless steel materials. These are manufactured through our newest and improved technical complex. Cable tray elbow can be operated most especially in

Cable tray system K²

Leading the GRP cable tray market with hot press molding, innovative interlocking couplers for screwless connections, and 1.5 m support span.

Elbow 90°, large, KKW

GRP-elbow 90°, large, for cable tray KK, with unperforated side rails, with moulded connector, glass fiber reinforced polyester, pressed, RAL 7032, pebble grey

Contact Us

For more information, pricing, or custom solutions, please contact us:

Website: <https://saastisfy.fr>

Email: sales@saastisfy.fr

Phone: +33 6 52 81 47 39

Address: 75 Rue de Rivoli, 75001 Paris, France

This document is for informational purposes only. Specifications subject to change without notice.

